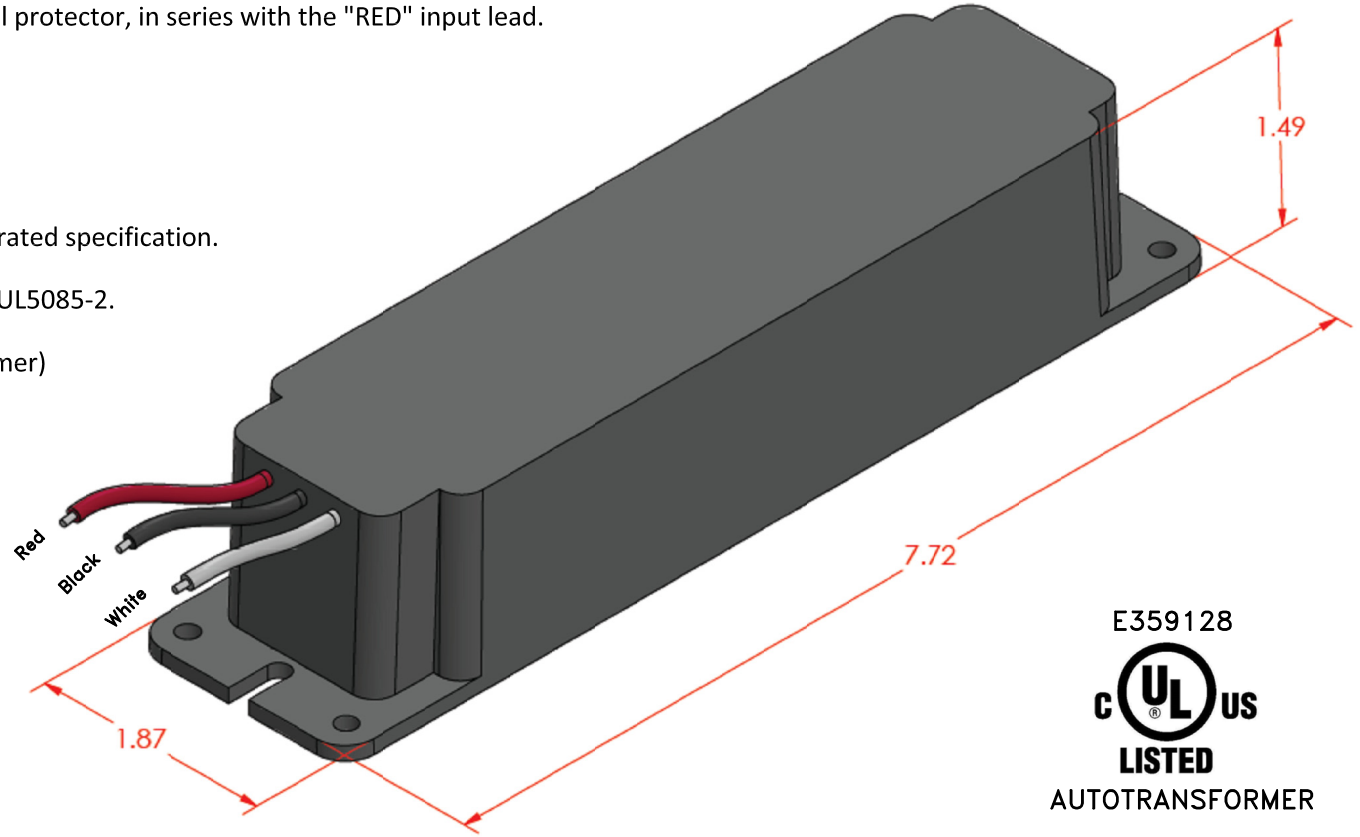


SPECIFICATIONS OF MODELS: 210083EB, 210083FB

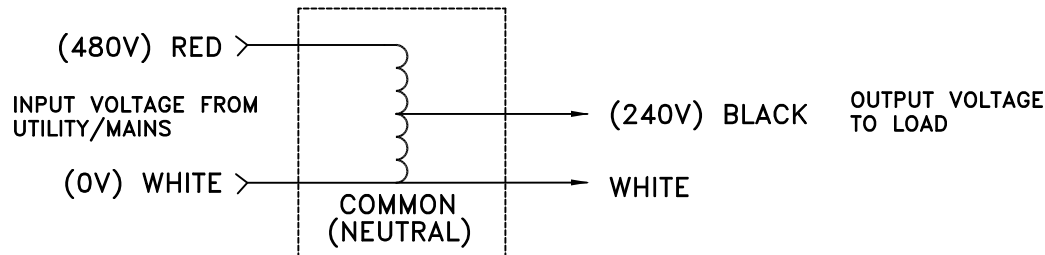
Primary/Input				Secondary/Output				Nominal		Dielectric Strength			Load Regulation (Typical)	Efficiency @ Full Load (Typical)	Surface Temp. @25° Amb. (°C)
@ Full/Rated Load				@ Open Circuit		@ Full/Rated Load		Resistance (Ω)		Winding to Core					
Voltage (V)	Freq. (Hz)	Watts (W)	Current (A)	Voltage (V)	Watts (W)	Voltage (V)	VA (W)	Pri.	Sec.	Voltage (V)	Freq. (Hz)	Duration (Sec)			
480	60	168	0.35	240 ± 2%	3.0	226 ± 2%	155	66	34	3000	60	1	5.8%	92.3%	62

- Version "FB" has an internal auto-reset 110°C thermal protector, in series with the "RED" input lead.
- Version "EB" does not have an internal fuse.
- Environmental Temp. (°C):
Versions "EB" and "FB" ---> -40 to +50°C
- MTBF (based on MIL Handbook 217F): Min 50 yrs @ rated specification.
- UL Listed to CSA C22.2 No. 66.1, 66.2, and UL5085-1, UL5085-2.
- Housing - Black Rynite FR530 (fire retardant PET polymer)
- All #18 AWG lead wires measure to 7" long (typ.)
- Suitable for IP66 rated applications.
(Not investigated by UL)
- Weight: ~3.0 lbs



ROHS COMPLIANT PRODUCT

AUTOTRANSFORMER



Electrical Connection:

Connect the Red/White leads to the Supply and the Black/White leads to the Load per the Autotransformer drawing to the left. Note: The White lead is the Neutral, and is common to both the Input Supply and Output to Load.

TITLE:
ENCLOSED MODEL 210083 OUTLINE DRAWING