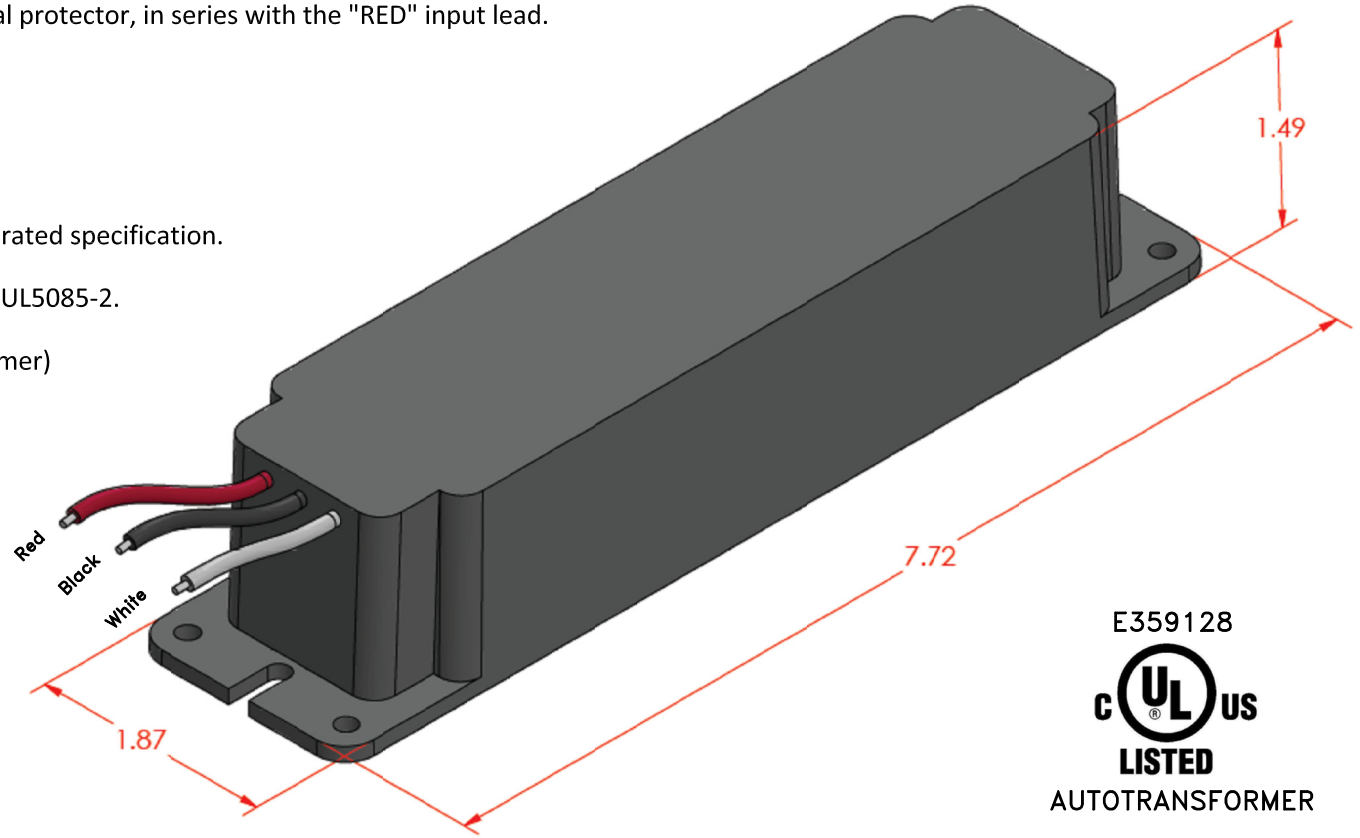


SPECIFICATIONS OF MODELS: 210098EB, 210098FB

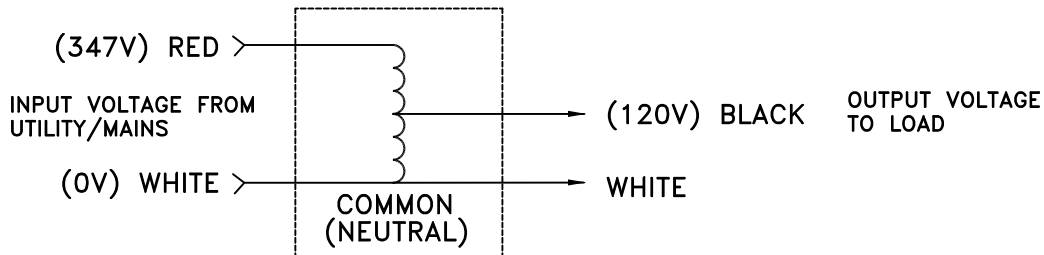
| Primary/Input @ Full/Rated Load | | | | Secondary/Output @ Open Circuit | | | | Nominal Resistance (Ω) | | Dielectric Strength (Winding to Core) | | | Load Regulation (Typical) | Efficiency @ Full Load (Typical) | Surface Temp. @25° Amb. (°C) |
|------------------------------------|---------------|--------------|----------------|------------------------------------|--------------|----------------|-----------|------------------------------------|------|--|---------------|-------------------|---------------------------------|---|---------------------------------|
| Voltage (V) | Freq. (Hz) | Watts (W) | Current (A) | Voltage (V) | Watts (W) | Voltage (V) | VA (W) | Pri. | Sec. | Voltage (V) | Freq. (Hz) | Duration (Sec) | | | |
| 347 | 60 | 125.4 | 0.37 | 125 ± 2% | 3.0 | 116 ± 2% | 115 | 39 | 9 | 3000 | 60 | 1 | 7.2% | 91.7% | 58 |

- Version "FB" has an internal auto-reset 110°C thermal protector, in series with the "RED" input lead.
- Version "EB" does not have an internal fuse.
- Environmental Temp. (°C):
Versions "EB" and "FB" ---> -40 to +50°C
- MTBF (based on MIL Handbook 217F): Min 50 yrs @ rated specification.
- UL Listed to CSA C22.2 No. 66.1, 66.2, and UL5085-1, UL5085-2.
- Housing - Black Rynite FR530 (fire retardant PET polymer)
- All #18 AWG lead wires measure to 7" long (typ.)
- Suitable for IP66 rated applications.
(Not investigated by UL)
- Weight: ~3.0 lbs



ROHS COMPLIANT PRODUCT

AUTOTRANSFORMER



Electrical Connection:

Connect the Red/White leads to the Supply and the Black/White leads to the Load per the Autotransformer drawing to the left. Note: The White lead is the Neutral, and is common to both the Input Supply and Output to Load.

TITLE:
ENCLOSED MODEL 210098 OUTLINE DRAWING